

## G7810 Cabinet Lock

### Features

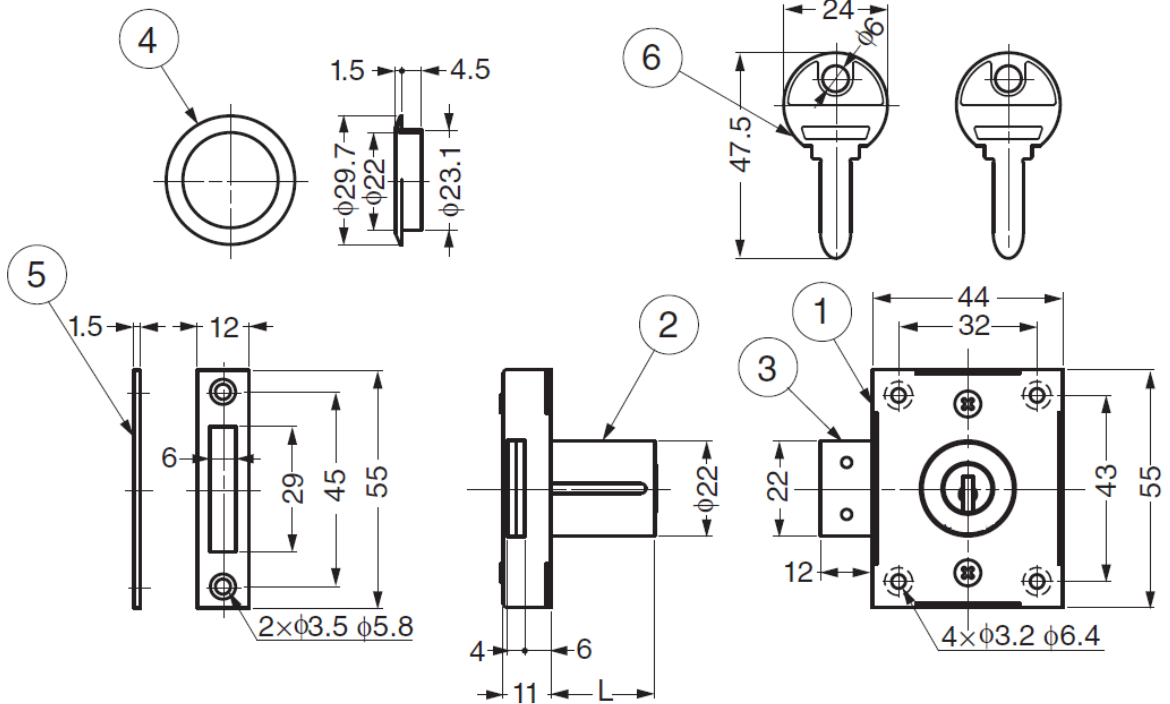
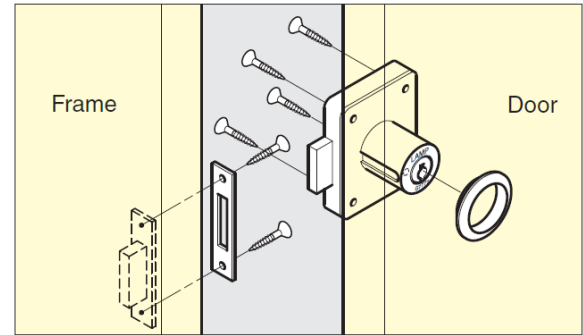
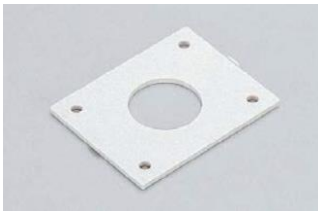
- For right-handed doors
- High-security
- Reversible key. Turn the key 360° to lock or unlock
- Brass cylinder lock with stainless steel body
- Available in 3 finishes
- 1 million key changes available. Master key system available on request (max. 2,520 key changes per master key)
- Keys can be shared with other **Million Lock Series**

### Parts Included

- Countersunk head wood screw 2.7×1.3, 3.1×22 (SUS)

### Optional Parts

- Spacer **G6810-SP**



No.	Part Name	Material	Finish		
			NI	CR	BL
①	Body	Stainless Steel (SUS304)	Satin	Satin	Satin
②	Cylinder	Brass	Satin Nickel	Chrome	Black Chrome
③	Dead Bolt	Stainless Steel (SUS304)	Plain	Plain	Plain
④	Ring	Brass	Satin Nickel	Chrome	Black Chrome
⑤	Strike	Stainless Steel (SUS304)	Satin	Satin	Black Chrome
⑥	Key	Brass	Nickel	Nickel	Nickel

### Removable Key when Unlocked (Without Master Key System)

Part No.	Key Type	Cylinder Diameter	Door Thickness	Finish	L
G7810-24NI-B	Keyed Differently	Ø 22	22 ~ 24	Satin Nickel	24
G7810-24NI-D	Keyed Alike				
G7810-24CR-B	Keyed Differently				
G7810-24CR-D	Keyed Alike				
G7810-24BL-B	Keyed Differently				
G7810-24BL-D	Keyed Alike				
G7810-30NI-B	Keyed Differently		28 ~ 30	Satin Nickel	30
G7810-30NI-D	Keyed Alike				
G7810-30CR-B	Keyed Differently				
G7810-30CR-D	Keyed Alike				
G7810-30BL-B	Keyed Differently				
G7810-30BL-D	Keyed Alike				
G7810-36NI-B	Keyed Differently		34 ~ 36	Satin Nickel	36
G7810-36NI-D	Keyed Alike				
G7810-36CR-B	Keyed Differently			Chrome	
G7810-36CR-D	Keyed Alike				

### Non-Removable Key when Unlocked (With Master Key System)

Part No.	Key Type	Cylinder Diameter	Door Thickness	Finish	L
G7810-24NI-MK-R-B	Keyed Differently	Ø 22	22 ~ 24	Satin Nickel	24

### Optional Spacer (Sold Separately)

Part No.
G6810-SP